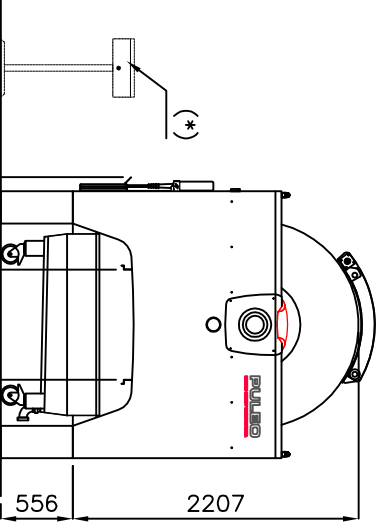
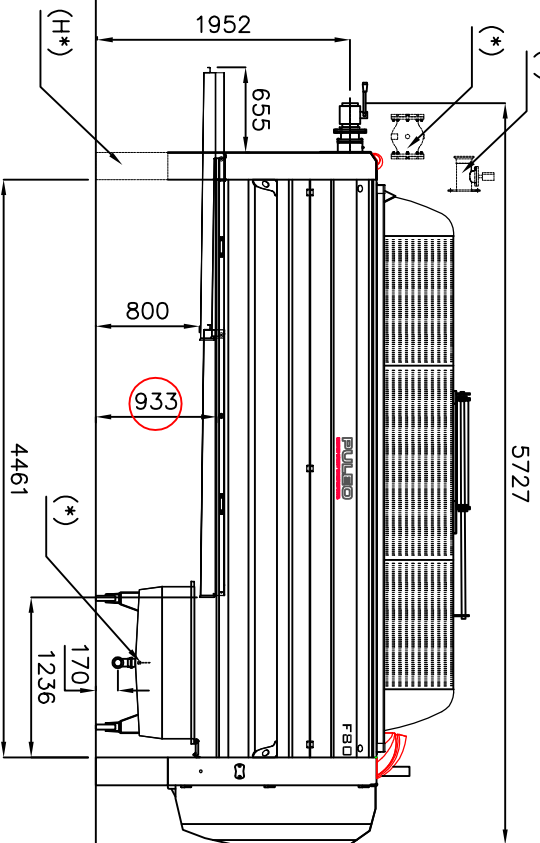
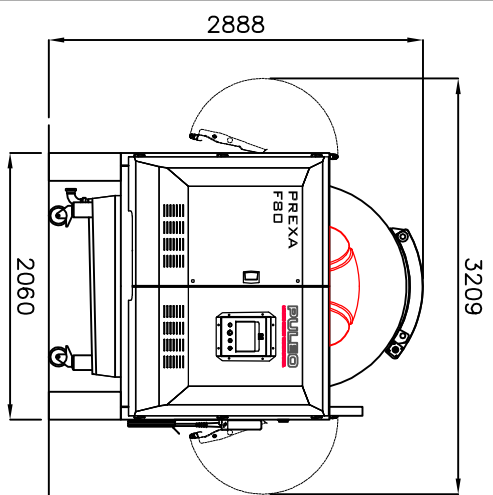
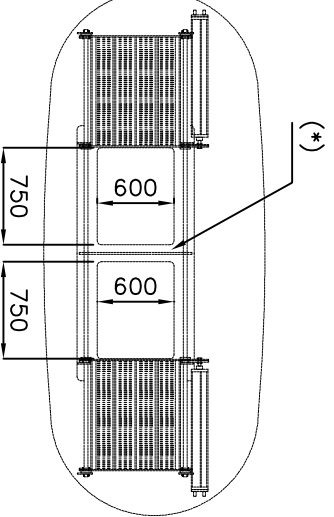
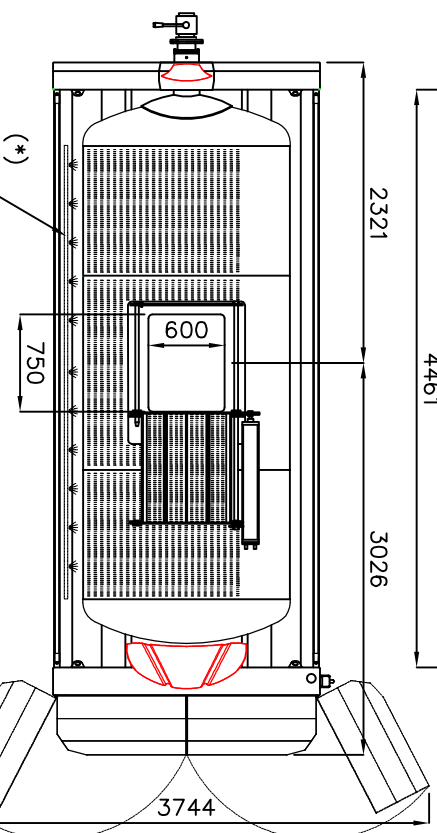
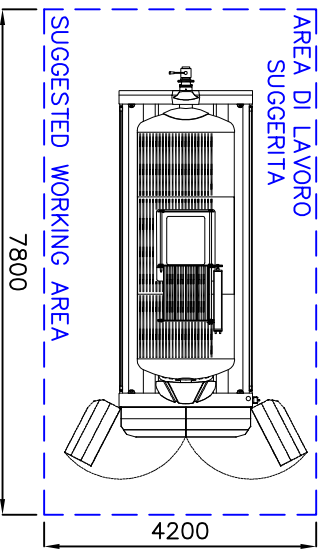


VOLUME	WORKING PRESSURE	CARGO AXIAL	PORTA PNEUMATICA	MOTORIDUTTORE	COMPRESSORE	POMPA VUOTO	VASCA MOSTO	ATTACCO VASCA	PESO A VUOTO	OPZIONALE	SU RICHIESTA
VOLUME	PRESSURE	AXIAL LOADING	PNEUMATIC DOOR	GEARBOX	COMPRESSOR	VACUUM PUMP	MUST TRAY	JOINT TRAY	EMPTY WEIGHT	OPTION	ON REQUEST
VOLUME	DE TRAVAIL	CHARGEM. AXIALE	PORTE PNEUMATIQUE	MOTOREDUCTEUR	COMPRESSEUR	POMPE A VIDE	BAC MOUT	RACCORD BAC	POIDS A VIDE	OPTION	A LA DEMAND
VOLUMEN	DE TRABAJO	CARGA AXIAL	PUERTA NEUMATICA	MOTOREDUCTOR	COMPRESOR	BOMBA VACIO	BANDEJA MOSTO	CONEXION BANDEJA	PESO EN VACIO	OPCION	
Lt.	BAR	DN	mm	kW	kW	kW	Lt.	DN	TONS	-	(*)
7.940	2.0	120	750x600	3	7.5	2.2	700	60	3.6		(*)



AREA DI LAVORO
SUGGERITA



CAPACITA' CARICO UVA / GRAPES LOADING CAPACITY	DIRASPATA/RIGIATA	MASSA FERMENTATA
CAPACITE CHARGEMENT RAISIN / CAPACIDAD CARGA UVA	DESTEMMED/CRUSHED	FERMENTED MARCS
INTERA	EGRAPE/FOULE	MARCS FERMENTES
WHOLE	DESRAPIADA/ESTRUADA	ORUJOS FERMENTADOS
ENTERA		
KG	KG	KG
4.800/6.300	15.200/20.700	21.000/29.200

SIGNATURE	DATE
DR.W	02.03.17
P.I. BERTOLINO	
CHECKED	
OGEN	
APPROVED	
OGEN	

PULEO MARSALA - ITALY
 Tel +39 0923 968284 - Fax +39 0923 968920
 url: www.puleo srl.com [e] commercial@puleo srl.com

UNIT mm	SCALE 1:60	SHEET 1/1	SIZE A4
CODE:	TITLE: DATASHEET PREXA F80		
CUSTOMER: --	STATUS: --		
MODEL: PREXA F80	P: 22051	D: --	S: 003 01
DWG: PREXA F80 22051-S003_01_130617(S1D)	REPLACE THE: --		
REPLACED BY: --	EXPIRED: --		
FILE: E:22051_F-C70-80.DWG			

