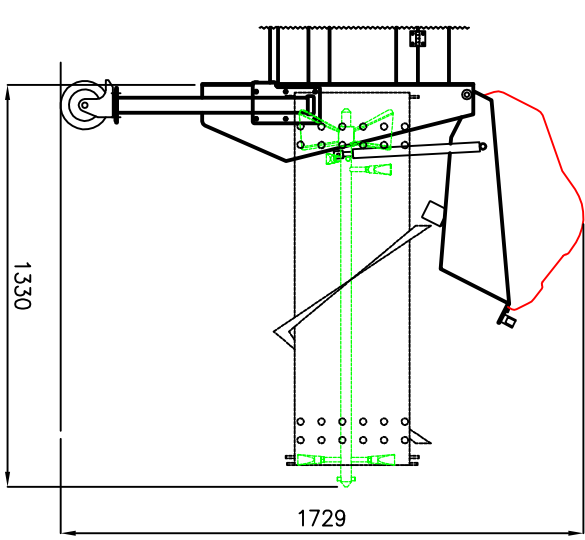
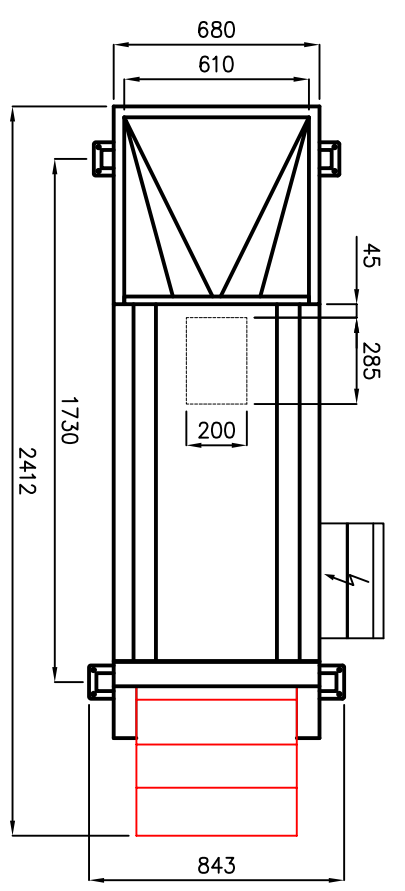
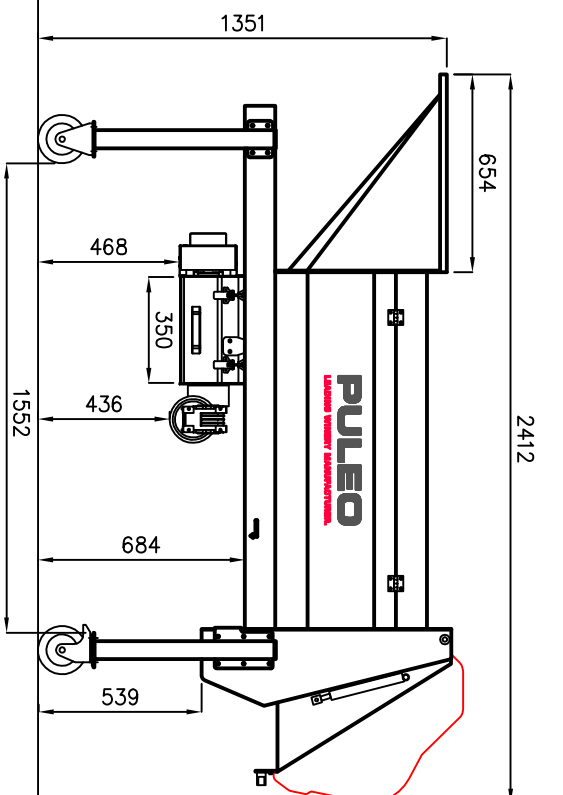
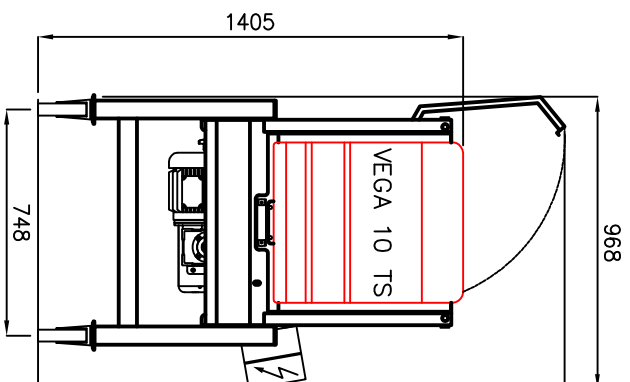


A	520	840	1039
B	626	946	1145
C	1436	1756	1955



POTENZA TOTALE INSTALLATA TOTAL INSTALLED POWER PUSSANCE TOTALE INSTALLEE POTENCIA TOTAL INSTALADA	2,25	KW	400	Kg	8/12	Tons/h	-
PESO A VUOTO EMPTY WEIGHT POIDS A VIDE PESO EN VACIO							(*)
PRODUZIONE ORARIA PRODUCTION PER HOUR PRODUCTION HORARE PRODUCCION HORARIA							
OPZIONALE OPTIONAL OPCIONAL OPCIONAL							

SIGNATURE	DATE	PULEO	MARSALA - ITALY	UNIT mm	SCALE 1:25	SHEET 1/1	SIZE A3
DRAWN	P.I. F. CURATOLO 09/12/14	PULEO MANUFACTURING P.I. F. CURATOLO 09/12/14 - Tel: +39 0923 968284 - Fax: +39 0923 968920 Url: www.puleoart.com [e] commercio@puleoart.com		CODE: -	TITLE: DATASHEET VEGA 10 TS		REV A3
CHECKED		IN ORDER TO IMPROVE THE PRODUCTION, PULEO S.R.L. RESERVES THE RIGHT TO INTRODUCE ANY CHANGES NECESSARY AT ANY TIME WITHOUT NOTICE.		CUSTOMER: -	STATUS: -		REV
APPROVED		AT THE END OF INSPECTION, LA PRODUZIONE, LA PULEO S.R.L. RISERVA IL DIRITTO DI INTRODURRE TUTTE LE MODIFICHE QUALORA NECESSARIE IN QUALSIASI OCCASIONE SENZA ALCUN OBBLIGO DI PREAVVISO.		MODEL: VEGA 10TS	P:15003R2D:--	S:001 00	REV
				REV: VEGA10TS_15003R2-S001_P00_040216		KG:--	REV
				REPLACED BY: --			REV
				FILE:15003R2_VEGA10TS.DWG			REV
				EXPIRED: --			REV