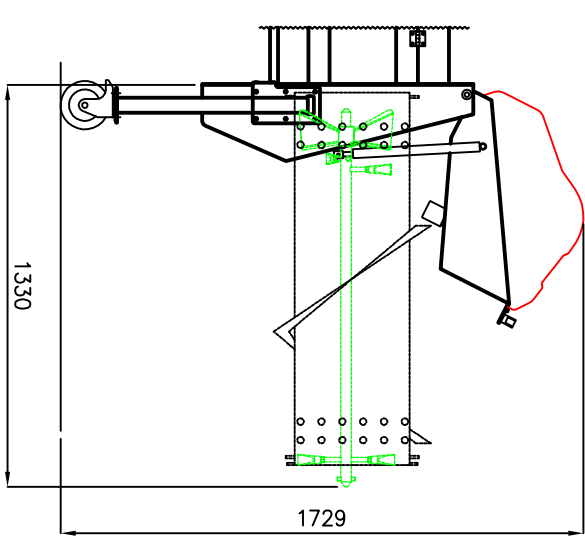
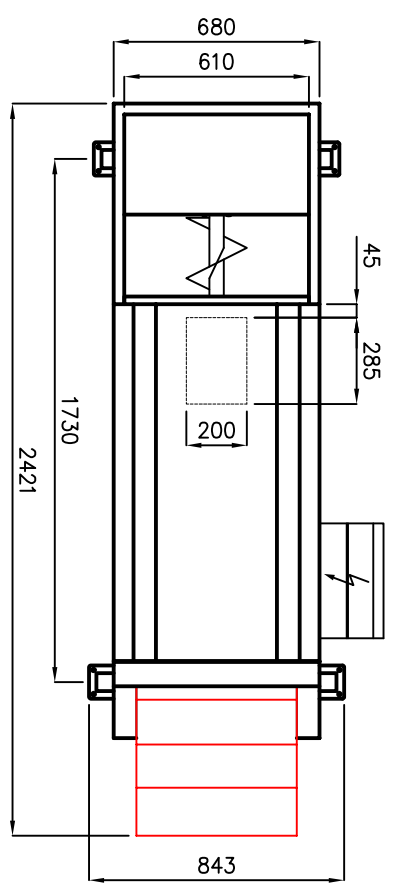
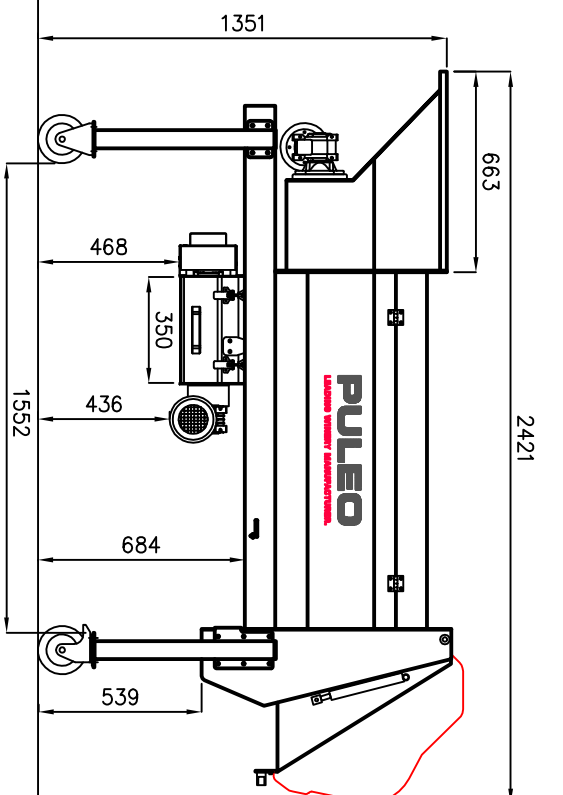
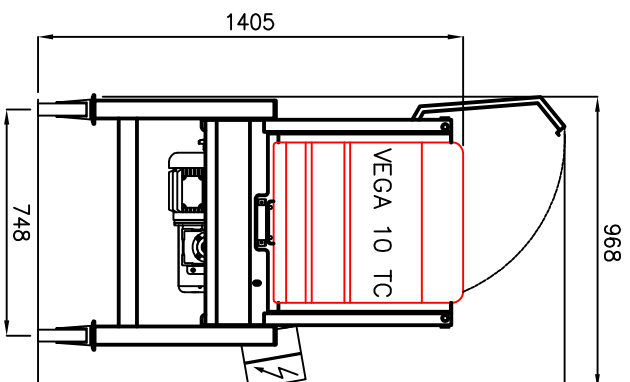


A	520	840	1039
B	626	946	1145
C	1436	1756	1955



POTENZA TOTALE INSTALLATA TOTAL INSTALLED POWER PUSSANCE TOTALE INSTALLEE POTENCIA TOTAL INSTALADA	PESO A VUOTO EMPTY WEIGHT POIDS A VIDE PESO EN VACIO	PRODUZIONE ORARIA PRODUCTION PER HOUR PRODUCTION HORARE PRODUCCION HORARIA	OPZIONALE OPTIONAL OPCIONAL OPCIONAL
KW	Kg	Tons/h	-
2,8	400	8/12	(*)

SIGNATURE	DATE	PULEO	MARSALA - ITALY	UNIT mm	SCALE 1:25	SHEET 1/1	SIZE A3
DRAWN	P.I. F. CURATOLO	04.02.16	Tel: +39 0923 968284 - Fax: +39 0923 968920	CODE: -	TITLE: DATASHEET VEGA 10 TC		REV
CHECKED			Url: www.puleoart.com [e] commercio@puleoart.com	CUSTOMER: -			
DESIGN				MODEL: VEGA 10TC			
APPROVED				FILE: 15004R2-S001_00_040216			
DGN				REPLACE THE: -			
				REPLACED BY: -			
				FILE: 15004R2-VEGA10TC.DWG			
				EXPIRED: -			