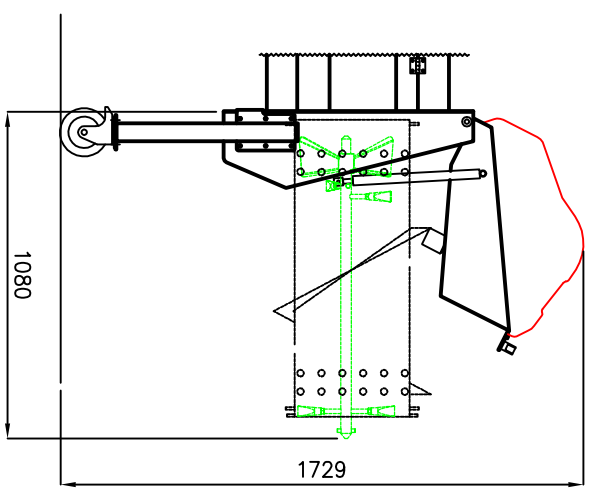
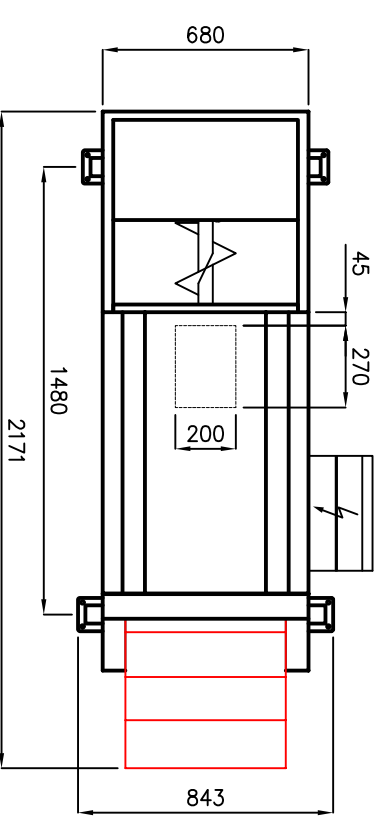
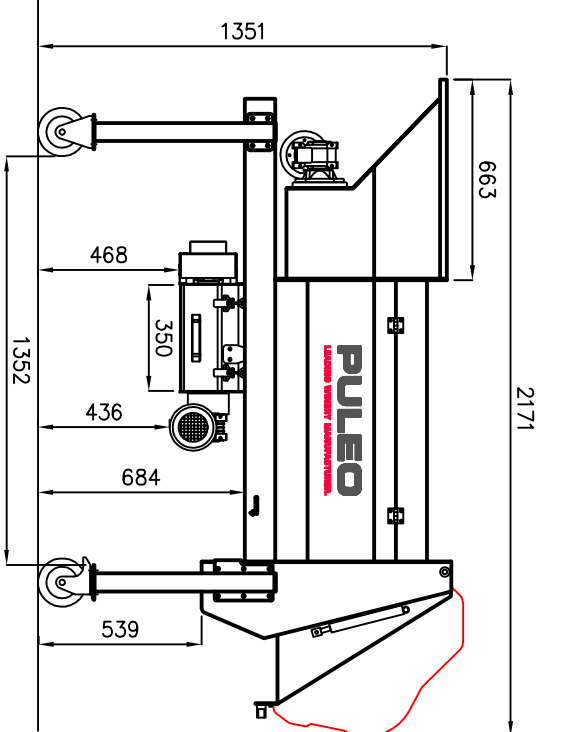
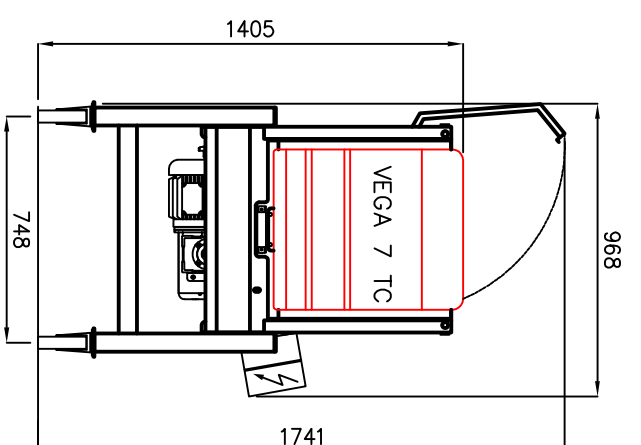


A	520	840	1039
B	626	946	1145
C	1436	1756	1955



POTENZA TOTALE INSTALLATA TOTAL INSTALLED POWER PUSSANCE TOTALE INSTALLEE POTENCIA TOTAL INSTALADA	PESO A VUOTO EMPTY WEIGHT POIDS A VIDE PESO EN VACIO	PRODUZIONE ORARIA PRODUCTION PER HOUR PRODUCTION HORARE PRODUCCION HORARIA	OPZIONALE OPTIONAL OPCIONAL OPCIONAL
KW	Kg	Tons/h	-
2,8	340	6/7	(*)

SIGNATURE	DATE	PULEO	MARSALA - ITALY	UNIT mm	SCALE 1:25	SHEET 1/1	SIZE A3
DRAWN	P.I. F. CURATOLO 03.02.16	PULEO MANUFACTURING Tel: +39 0923 968284 - Fax: +39 0923 968920 Url: www.puleoart.com [e] commerciale@puleoart.com		CODE: -	TITLE: DATASHEET VEGA 7 TC		REV A3
CHECKED		IN ORDER TO IMPROVE THE PRODUCTION, PULEO S.R.L. RESERVES THE RIGHT TO INTRODUCE ANY CHANGES NECESSARY AT ANY TIME WITHOUT NOTICE.		CUSTOMER: -	STATUS: -		REV
APPROVED		AT THE END OF INSPECTION, LA PRODUZIONE LA PULEO S.R.L. SI RISERVA IL DIRITTO DI INTRODURRE TUTTE LE MODIFICHE QUALORA NECESSARIE IN QUALSIASI OCCASIONE SENZA ALCUN OBBLIGO DI PREAVVISO.		MODEL: VEGA 7TC	P:15002R2D:--	S:001	00
				DWG: VEGA7TC_15002R2-9001_00_030216	REPLACED BY: --	KG: --	
				FILE: 15002R2_VEGA7TC.DWG	EXPIRED: --		